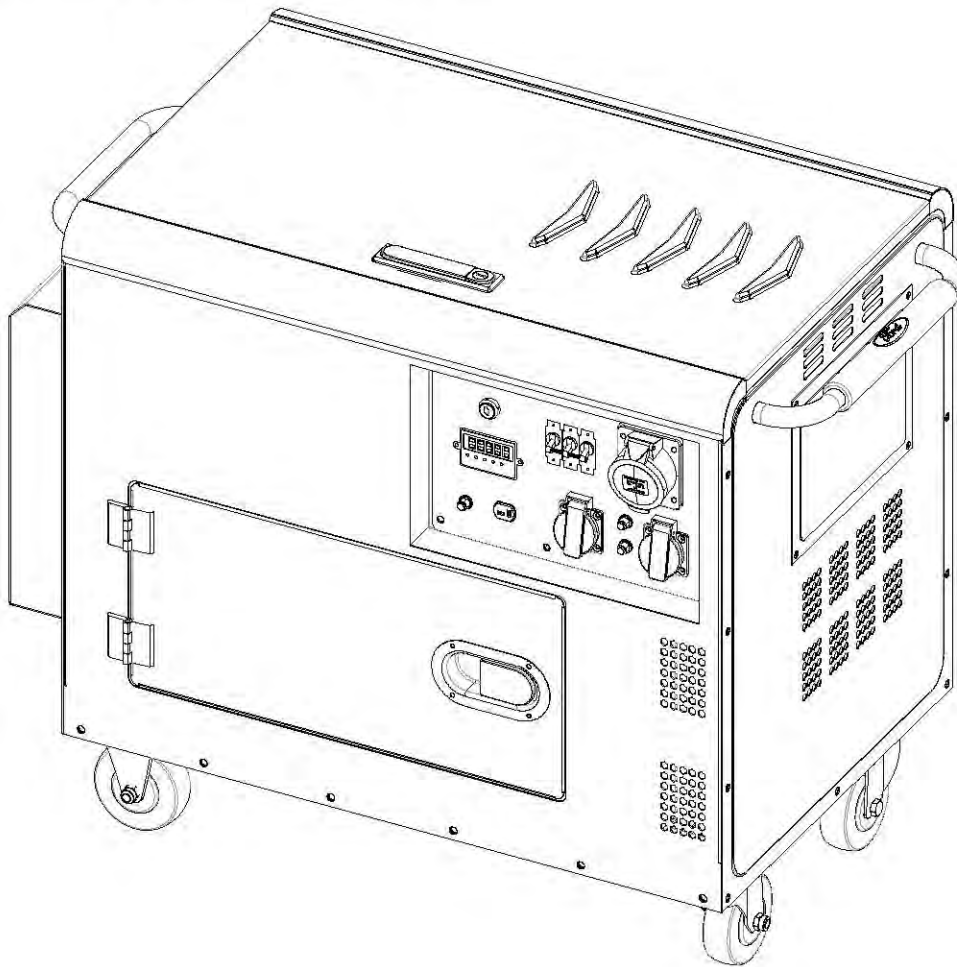




MODEL#: FD6700S
FD7200S

Diesel Generator

OPERATOR'S MANUAL
ORIGINAL INSTRUCTIONS



LICENCED BY: PULSAR PRODUCTS INC
2051 S Lynx Place, Ontario, California, U.S.A 91761

TABLE OF CONTENTS

Introduction	3
Product Specifications	3
Safety Rules	4
Safety Symbols	4
Safety Instructions	4
Features	7
Assembly	10
Unpacking	10
Packing List	10
Open Maintenance Door.....	10
Attaching Battery Cable.....	11
Adding/ Checking Engine Oil.....	13
Adding Fuel.....	13
Connecting Generator to an Electrical System.....	14
ATS Set Up.....	15
Operation	16
How to Start Engine.....	16
Battery Charger for Electric Starter	17
How to Stop Engine.....	17
Receptacles and Extension Cords.....	17
Don't Overload Generator.....	18
Wattage Reference Guide.....	19
Cold Weather Operation.....	20
To Balance the Load	20
Maintenance	21
Maintenance Schedule	21
Changing Oil	21
Air Filter.....	23
Replacing Fuel Filter	23
Oil Filter.....	24
Storage and Transportation of the Generator	25
Troubleshooting	26
Diagrams	27
Noise	29
Service	30

INTRODUCTION

Thank you for purchasing this superior quality portable generator from Ford Power Equipment. When operating and maintaining this product as instructed in this manual, your generator will give you many years of reliable service.

Product Specifications:

This generator is an engine-driven, revolving field, alternating current (AC) portable generator. It is designed to supply electrical power to operate tools, appliances, camping equipment, lighting, or serve as a back up power source during power outages.

		FD6700S	FD7200S
AC Output	Frequency	50Hz	
	Power (COP)	4500W	5500W
	Power (MAX.)	5000W	6000W
	Voltage	230V (UK:115V/230V)	
Engine	OHV, 4 Stroke, Air Cooled	418cc	499cc
Engine Oil	SAE CD 10W40 and above	1.6L	
Fuel Tank	13L Clean Diesel		

- The rated power output of the generator, the following standard reference conditions shall be used
 - Total barometric pressure: 100kPa.
 - Air ambient temperature: 298K (25°C) .
 - Relative humidity: 30% .
 - Max. Altitude: 1000m.



SAVE THIS MANUAL FOR FUTURE REFERENCE

This manual contains important information regarding safety, operation, and maintenance.

SAFETY RULES

Safety Symbols



Indicates a potentially hazardous situation which could result in serious injury or death if not avoided.



Indicates a potentially hazardous situation which could result in damage to equipment or property.



Injury or damage



Read manual before use



Wear noise protection



Toxic fumes



Risk of fire



Risk of explosion



Risk of electric shock



Hot surface



Lifting hazard

Safety Instructions

The manufacturer cannot anticipate every possible hazardous circumstance that the user may encounter. Therefore, the warnings in this manual, on tags, and on affixed decals are not all-inclusive. To avoid accidents, the user must understand and follow all manual instructions and use common sense.



Read and understand this manual in its entirety before operating this generator. Improper use of this generator could result in serious injury or death.



Exhaust gas is poisonous; do not operate in an unventilated area.

- Using a generator indoors **WILL KILL YOU IN MINUTES!**
- Carbon monoxide gas is a poisonous, odorless gas that can cause headache, confusion, fatigue, nausea, fainting, sickness, seizures, or death. If you start to experience any of these symptoms, **IMMEDIATELY** get fresh air and seek medical attention.
- Never use indoors, in a covered area, or in a confined space, even if doors and windows are open.
- Install a battery operated carbon monoxide alarm near bedrooms.
- Keep exhaust from this unit from entering a confined area through windows, doors, vents, or other openings.
- When working in areas where vapors could be inhaled, use a respirator mask according to all of its instructions.

SAFETY RULES



WARNING

Engine exhaust contains chemicals that lead to cause cancer and birth defects.

- Always wash hands after handling generator.



WARNING



To reduce the risk of serious injury, avoid attempting to lift the generator alone.



WARNING

Never exceed generator's wattage / amperage capacity. This could damage the generator and / or connected electrical devices.

- Check operating voltage and frequency requirements of all electrical devices prior to plugging them into the generator.



WARNING

Never start or stop engine with electrical devices plugged in to the receptacles. Failure to do so could damage the generator and / or connected electrical devices.

- Always start the engine and let it stabilize before connecting any electronic devices.
- Disconnect all electronic devices before stopping the engine.



WARNING

Starter and other moving parts can catch on clothing, jewelry, and hair.

- Do not wear loose clothing or gloves.
- Remove jewelry or anything else that could be caught in moving parts.
- Tie back or wear protective head covering to contain long hair.



WARNING



Avoid contacting hot areas of this unit.

- Use caution around the muffler, cylinder, and other engine parts as they can be extremely hot.
- Allow hot components to cool before touching.



WARNING

The precautions to be respected by the user in the case of re-supply by generating sets of an installation, depending on existing protective measures in this installation and applicable regulations.



WARNING

Fuel is combustible and easily ignited. Do not refuel during operation. Do not refuel while smoking or near naked flames. Do not spill fuel.



WARNING

The user that he shall conform to regulations of electrical safety applicable to the place where the generating sets are used.

SAFETY RULES

WARNING



This generator produces a very high voltage which could result in burns or electrocution causing serious injury or death.

- Never handle the generator, electronic devices, or any cord while standing in water, while barefoot, or when hands or feet are wet.
- Always keep the generator dry. Never operate generator in rain or under wet conditions.
- Never plug electronic devices into generator having frayed, worn, or bare wires. Never touch bare wires or make contact with receptacles.
- Never permit a child or unqualified person to operate generator. Keep children a minimum of 10 feet away from the generator at all times.
- If using the generator for back up power, notify the utility company.
- If connecting generator to a building's electrical system for standby power, you must use a qualified electrician to install a transfer switch. Failure to isolate the generator from the power utility could result in serious injury or death to electric utility workers.

- When using extension lines or mobile distribution networks the total length of lines for a cross section of 1.5 mm² should not exceed 60 m; for a cross section of 2.5 mm² this should not exceed 100 m.
- The generating set must not be connected to other power sources except with accessory advised by the manufacturer or other generators with the same model.
- Save these instructions. Refer to them frequently and use them to instruct others who may use this product. If you loan someone this product, loan these instructions also.

WARNING



Generator must be properly grounded to prevent electrocution.

- Only operate generator on a level surface.
- Always connect the nut and ground terminal on the frame to an appropriate ground source.

WARNING

Only use this unit as intended or serious injury or death could result.

- Do not bypass any safety device. Moving parts are covered with guards. Make sure all protective covers are in place.
- Never transport or make adjustments to this unit while it is running.
- Never insert objects through cooling slots.

WARNING

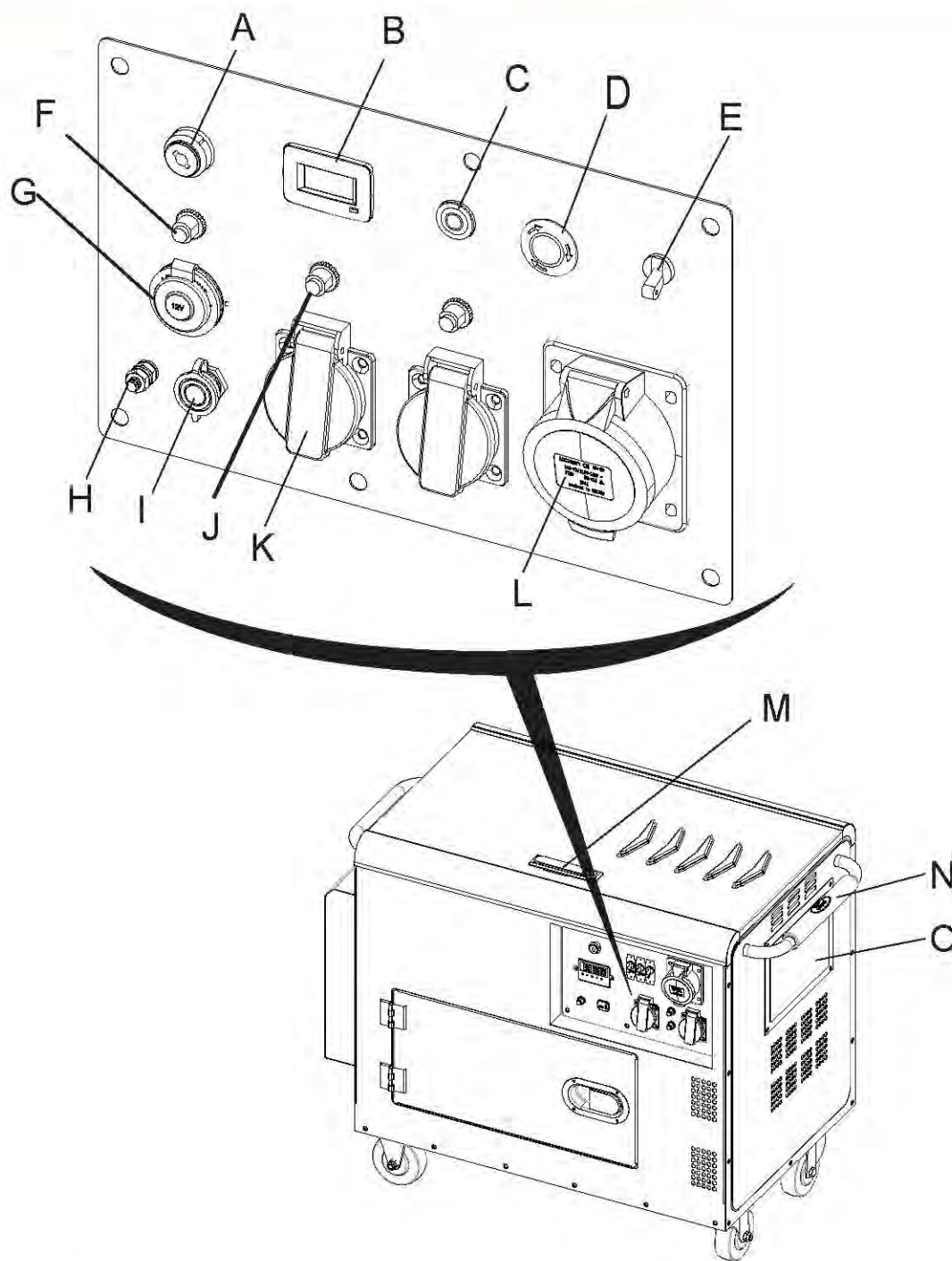
Never operate this unit if there are any broken or missing parts and only use Ford Power Equipment replacement parts specifically designed for this unit.

- Improper treatment of generator can damage the unit and shorten its life.
- Always repair this unit as specified in this manual. If you have any questions contact your dealer or consult a qualified service center.
- Shut generator off if electrical output is missing, unit vibrates excessively or begins to smoke, spark or emit flames.

WARNING

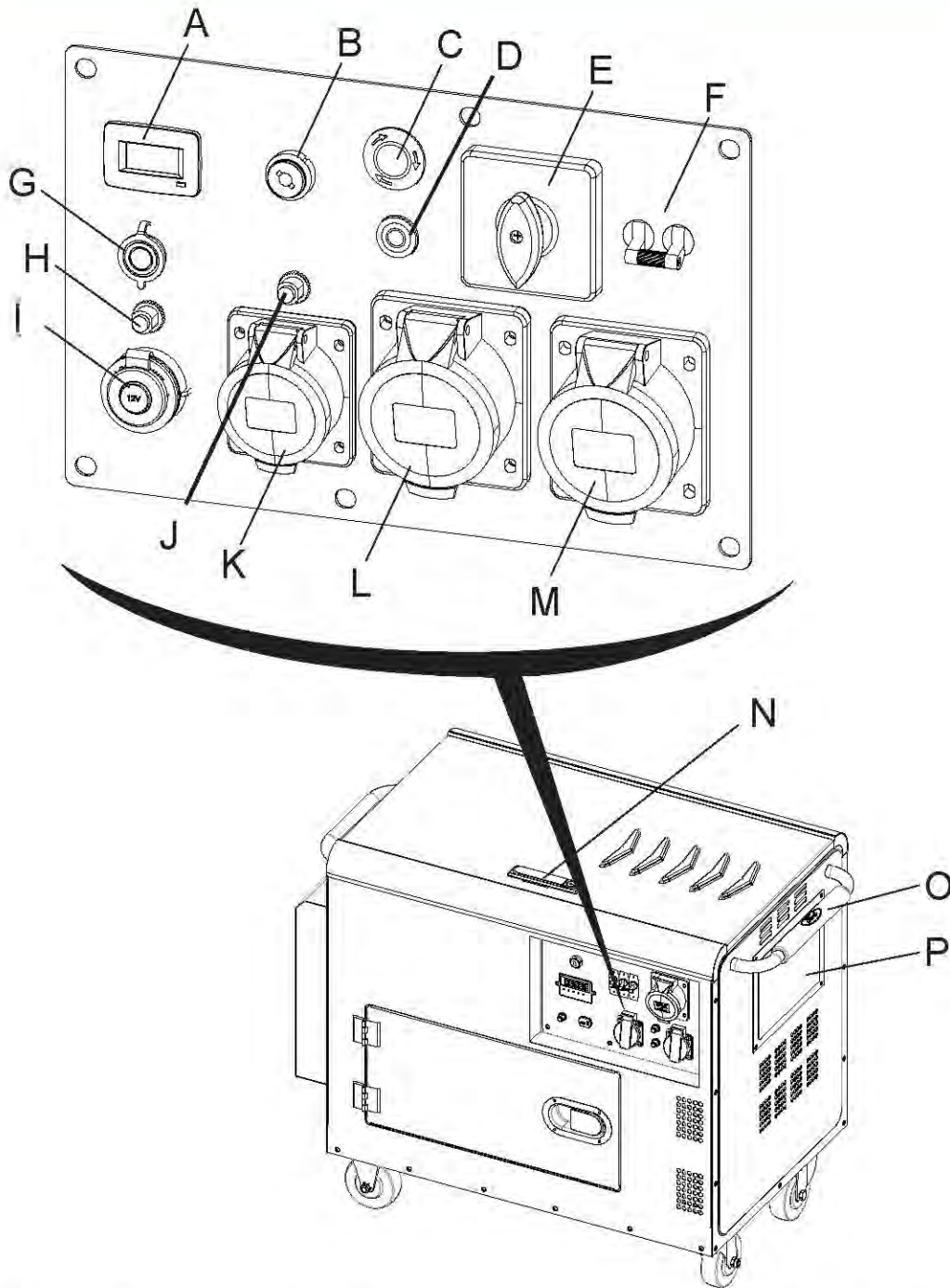
The user that he shall conform to regulations of electrical safety applicable to the place where the generating sets are used.

FEATURES



- A – ON/OFF/Start Switch
- B – Meter(Frequency,Voltage,Time)
- C – Pre-warm switch
- D – Emergency OFF Switch
- E – Main Circuit Breaker
- F - Thermal protector
- G - Cigarette DC

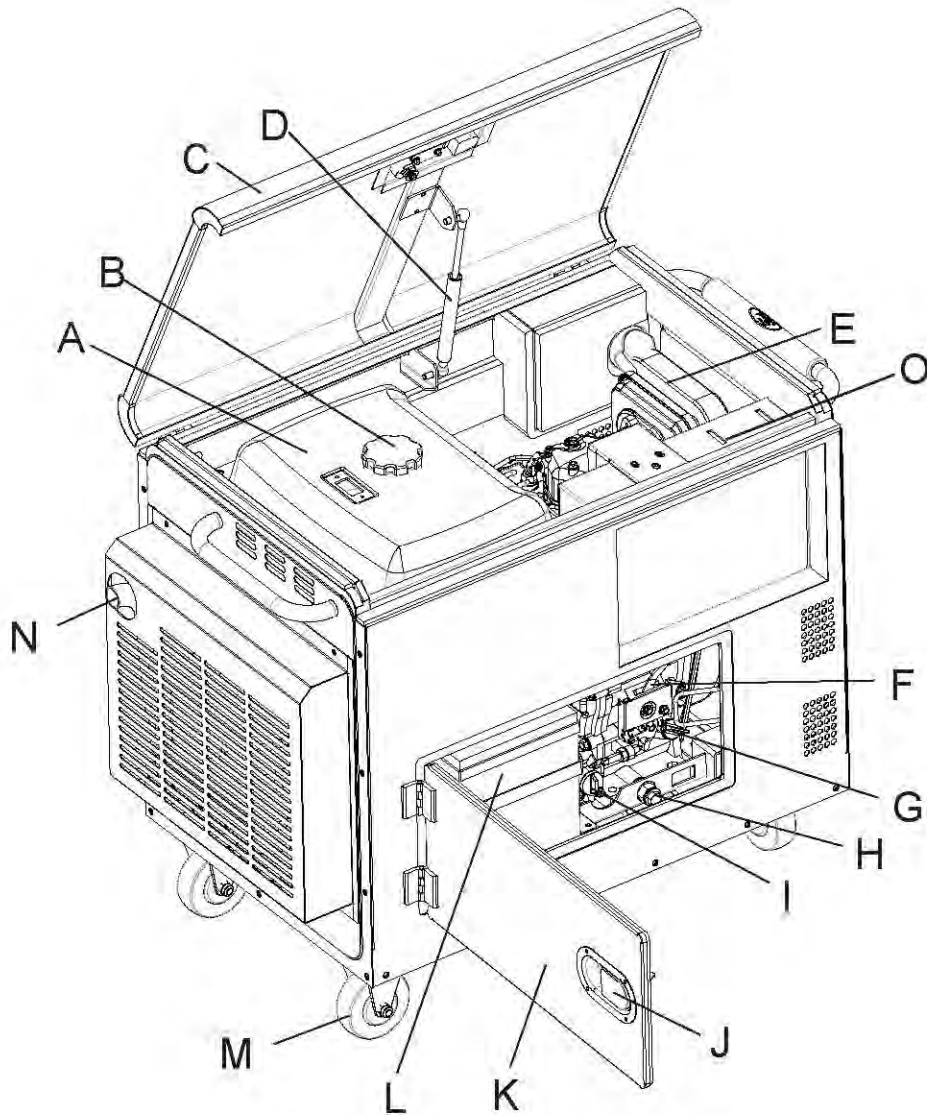
- H - Grounding Stud
- I - ATS port
- J - AC Circuit Breaker
- K - Socket 230V/16A
- L - Socket 230V/32A
- M - Lock
- N - Handle Bumper
- O - Air Filter Maintenance



- A - Meter(Frequency, Voltage, Time)
- B - ON/OFF/Start Switch
- C - Emergency OFF Switch
- D - Pre-warm switch
- E - Voltage selector
- F - Main Circuit Breaker
- G - ATS port
- H - Thermal protector

- I - Cigarette DC
- J - AC Circuit Breaker
- K - Socket 115V/16A
- L - Socket 115V/32A
- M - Socket 230V/32A
- N - Lock
- O - Handle Bumper
- P - Air Filter Maintenance

FEATURES



A – Fuel Tank

B – Fuel Tank Cap

C – Top Cover Plate

D – Pressure Support Bar

E - Air Filter

F - Mechanical Switch(Engine)

G - Oil plug

H –Oil Drain Plug

I –Oil Filter

J –Maintenance Door Lock

K – Maintenance Door

L – Battery

M- Wheels

N- Muffler

O- ATS CONTROLLER position

ASSEMBLY

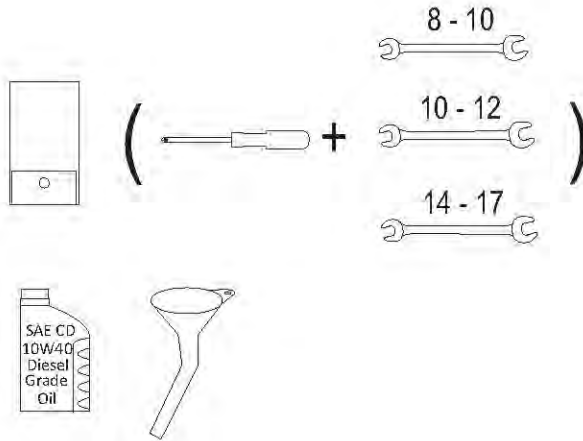
Unpacking

1. Place box on a level surface.
2. Remove all items from box except the generator. Make sure all items listed on the packing list are included and not damaged.
3. Cut down the sides of the box being careful to avoid hitting the generator.
4. Leave generator on box to install wheel assembly.

Packing List

Check all loose parts to the following list. Contact your dealer if any loose parts are not included.

Description	Qty	
Generator	1	
Quick Start Guide	1	
4-Cycle engine oil (SAE 10W-40 CD)	1	
Toolkit	Phillips screwdriver	1
	10mm Combination Wrench	1
	12mm Combination Wrench	1
	17mm Combination Wrench	1
Funnel	1	
Outlets	3	
Manual	1	



Open Maintenance Door (See Fig 1)

- Maintenance door lock buckle with the hand, gently pull outward, open the maintenance door plank.

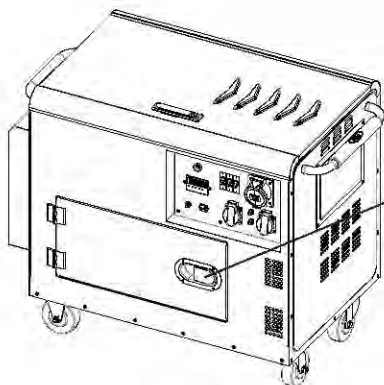


Fig 1A

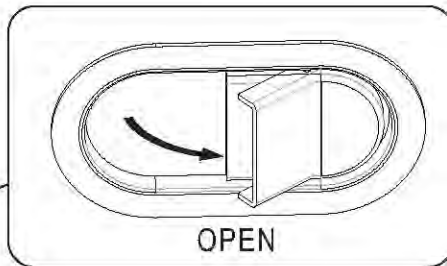


Fig 1B

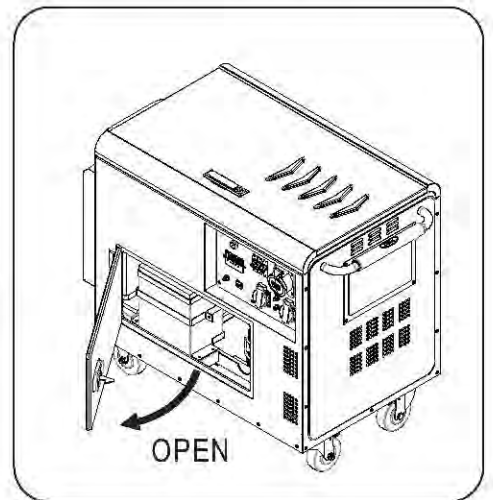


Fig 1C

ASSEMBLY

Open Top Cover Plate(See Fig 2)

- Play open the lock.(See Fig 2A)
- Open the top cover plate upwards.(See Fig 2B)

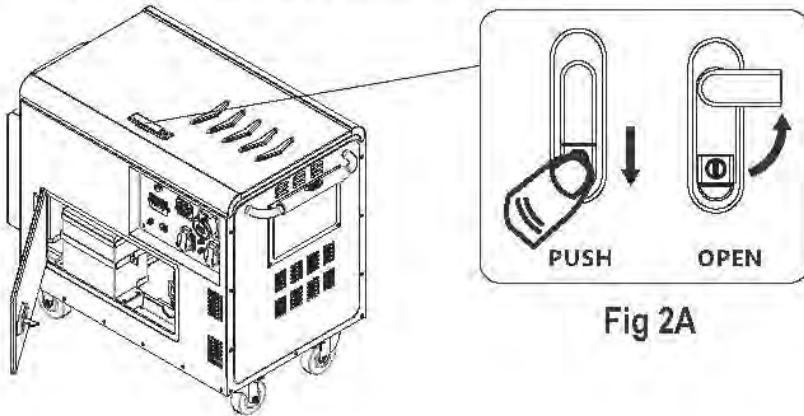


Fig 2A

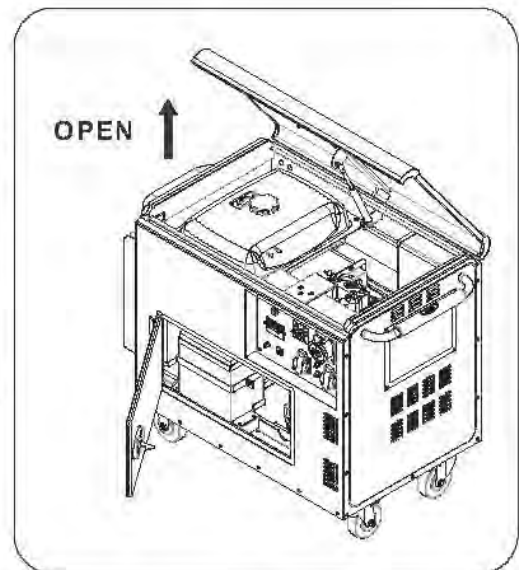


Fig 2B



CAUTION When you open the maintenance door and top cover plate , will you be able to make the following operation.

Attaching Battery Cable (See Fig 3)

- Parts needed - Black and Red battery cable.
- The Red (+) Connector should be attached to the battery first.
- tighten the screw and make sure the terminal will not touch any part of the frame.
- Repeat these steps for the Black (-) Terminal.

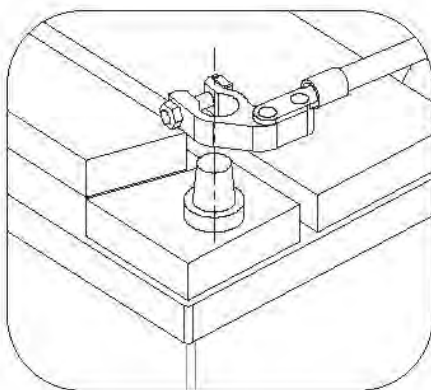


Fig 3B

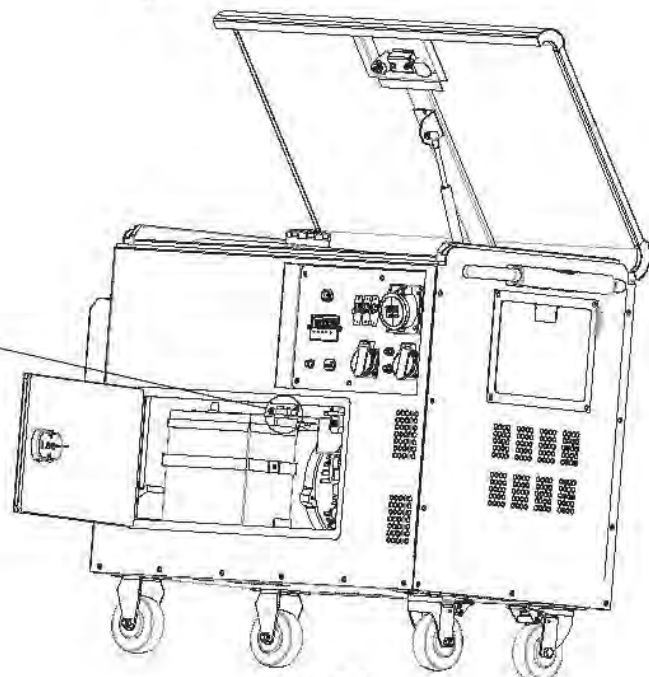




Fig 3A


ASSEMBLY

 **CAUTION** Be careful not to short across the terminals when installing. Shorting the terminals together can cause sparks, damage to the battery or generator, or even burns or explosions.

When removing the battery for replacement: Remove the nut and bolt first from the negative (Black) post, then from the positive (Red) post, being careful not to short across the terminals. Always abide by the safety warnings provided with the battery. Remove the battery and dispose of it according to your local and state regulations.

 **WARNING** Battery posts, terminals, and accessories contain lead and lead compounds known to cause cancer and reproductive harm.

- Always wash hands after touching battery.

 **CAUTION**

- The battery used for the electrical starting system is not the standard accessory.
- Recommended to use a non-maintenance Lead-Acid battery with 12VDC.
- The battery must comply with the related EU directive or other international standard.

Antidotes for battery acid

CONTACT	TREATMENT
External	Flush with water.
Internal	Drink large quantities of milk or water, followed by milk of magnesia, vegetable oil or beaten eggs. Get immediate medical attention.
Eyes	Flush with water. Get immediate medical attention.

ASSEMBLY

Adding / Checking Engine Oil (See Fig 4)

- Place generator on a level surface.
- Remove the crankcase dipstick to ensure you do not overfill the engine.
- Insert a funnel into the crankcase dipstick hold and carefully add 4-Cycle engine oil (SAE10W- 40 CD) to empty reservoir until oil reaches the outer edge of the oil fill hole (crankcase dipstick hole).
- Be sure to replace dipstick before attempting to start the engine.
- To check oil, set generator on a level surface, wipe dipstick clean, then reinsert dipstick without rethreading.

CAUTION You must add engine oil before first operating this generator. Always check engine oil level before each operation.

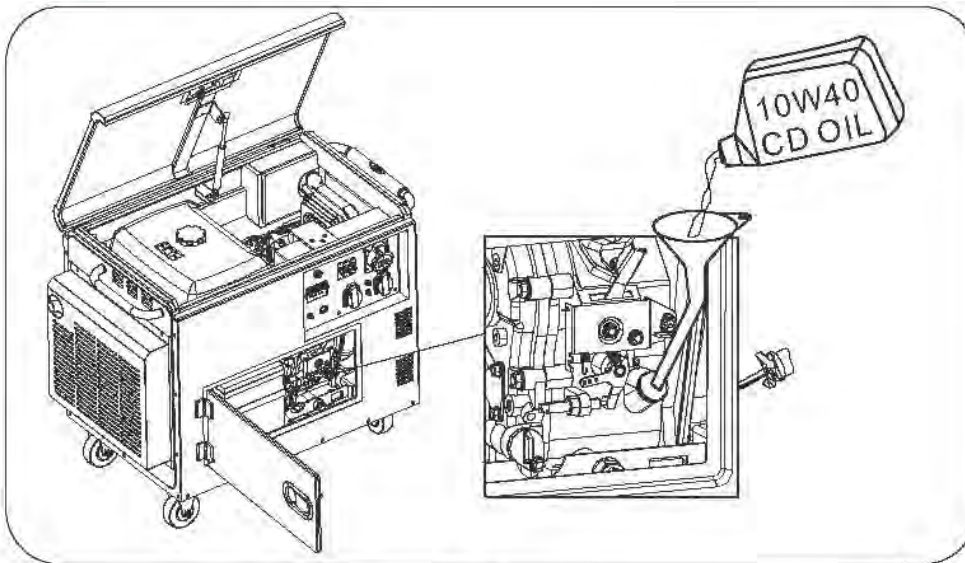


Fig 4

Adding Fuel (See fig 5)

- Set generator on a clean and level surface in an area that is well ventilated.
- Remove fuel Fill cap.
- Insert a funnel into the fuel tank and carefully pour diesel into the tank until fuel level reaches 2 inches below the top of the neck. Be careful not to overfill the tank to provide space for fuel expansion.

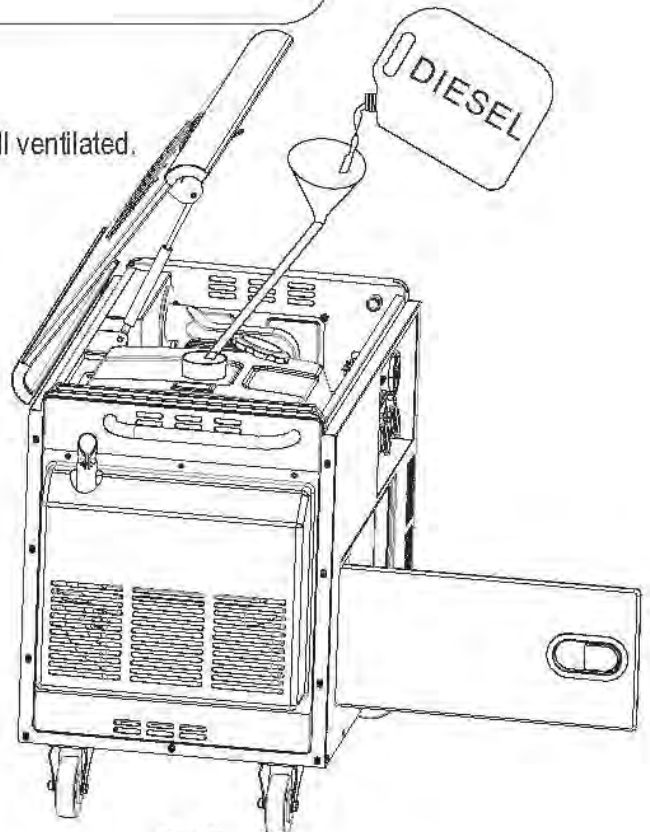


Fig 5

ASSEMBLY

Connecting Generator to an Electrical System

- If connecting generator to a building's electrical system for standby power, you must use a qualified electrician to install a transfer switch. The power from the generator must be isolated from the circuit breaker or alternative power source. The connection must comply with all electrical codes and applicable laws.

Grounding the Generator (See Fig 6)

The ground terminal located on the back of the generator frame must always be used to connect generator to a driven ground rod. Connect the ground terminal to the driven ground rod with a No 8 AWG (American Wire Gauge) copper wire. The wire connects to the terminal between the lock washer and nut. Tighten the nut securely to ensure proper connection. Grounding the generator protects you from electric shock that results from a build up of static electricity or undetected ground faults.

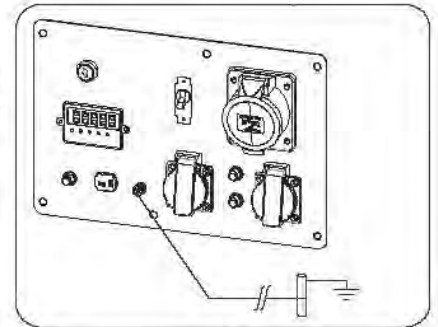


Fig 6



WARNING



Generator must be properly grounded to prevent electrocution.

- Only operate generator on a level surface.
- Always connect the nut and ground terminal on the frame to an appropriate ground source.

Open Mechanical Switch(Engine) (See Fig 7)

- With the hand to push the handle to the right, open the mechanical switch (engine).

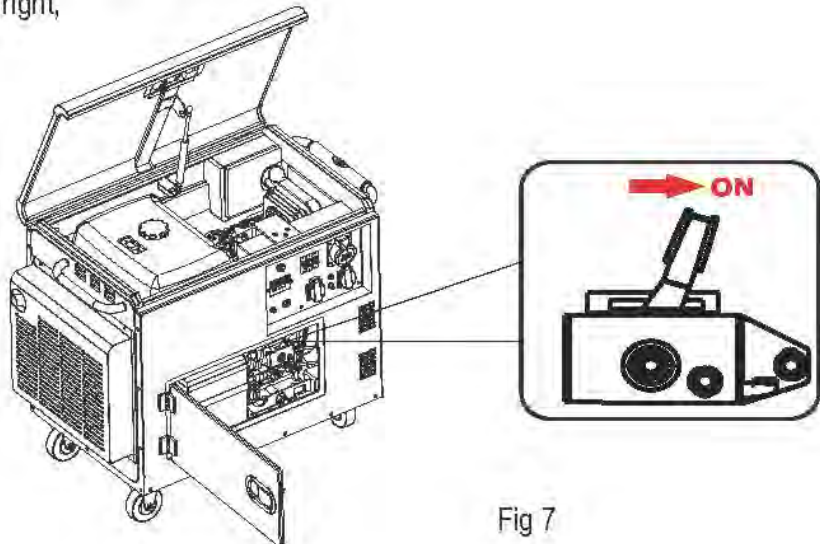


Fig 7

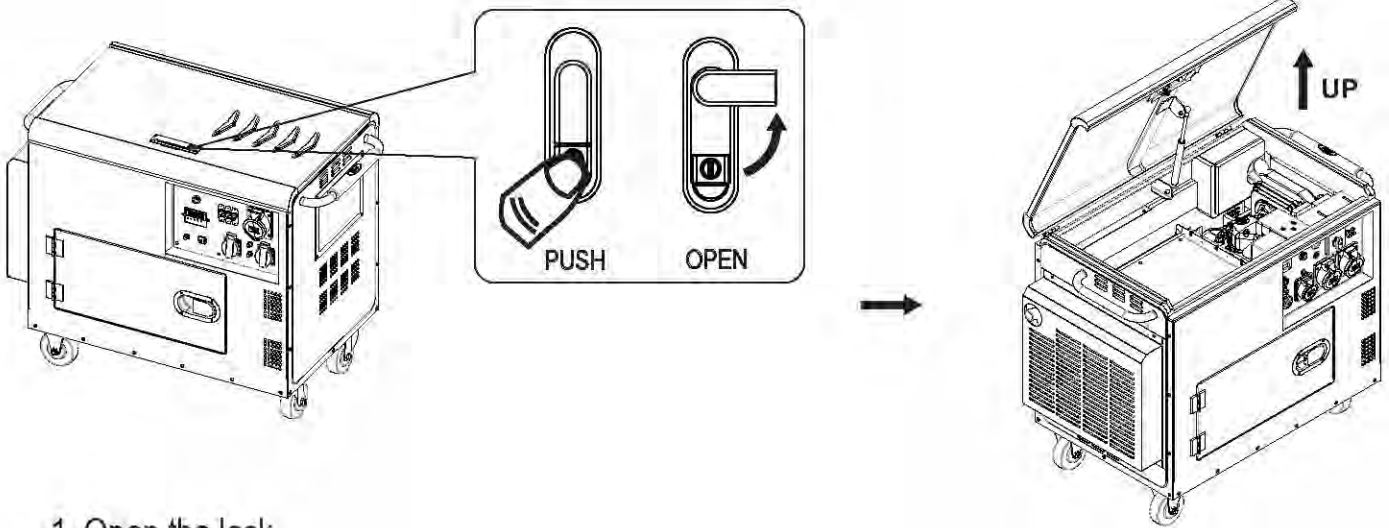


CAUTION

Don't open the mechanical switch (engine) will not be able to start the generator.

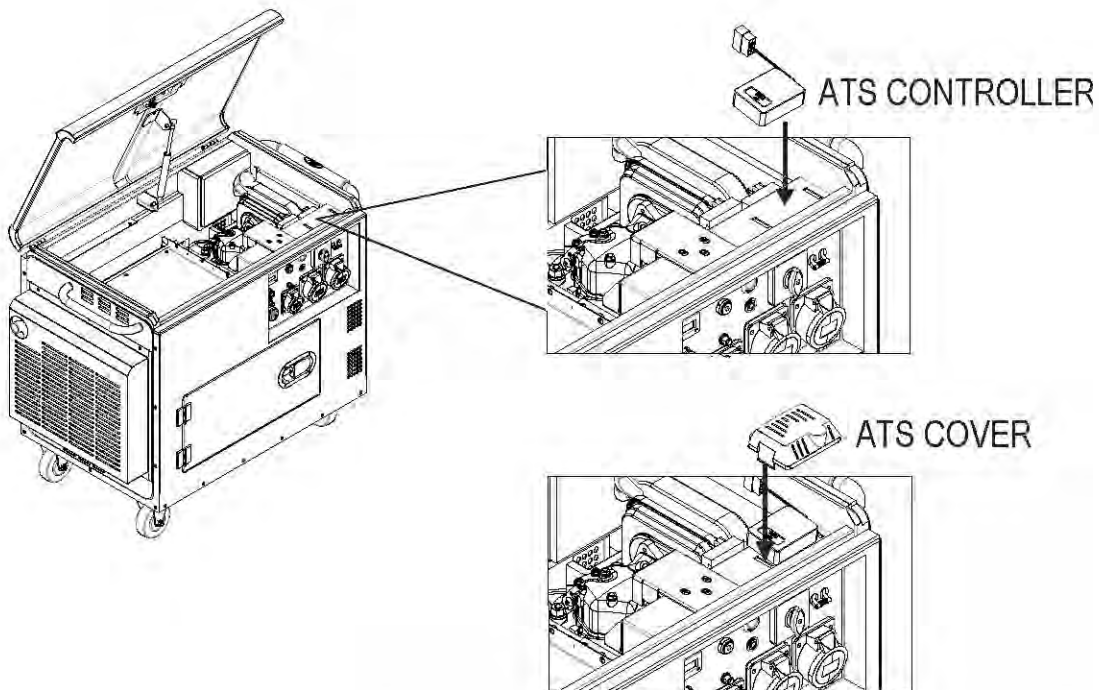
ASSEMBLY

ATS SET UP



1. Open the lock

2. Pull up the cover



3. Put the ATS CONTROLLER above panel cover, then lock it by CONTROLLER COVER.

NOTE: Using the ATS function, please follow the instruction manual of ATS box you bought.

OPERATION

Close Maintenance Door and Top Cover Plate (See Fig 8)

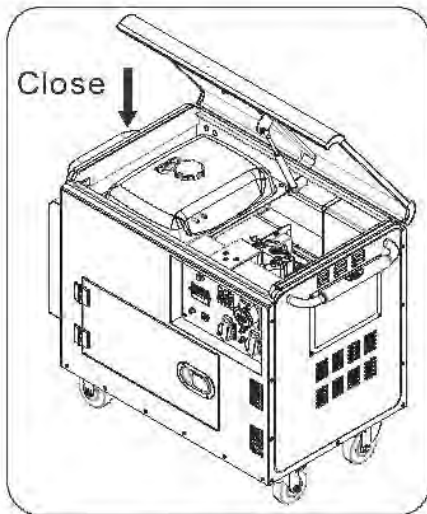


Fig 8A

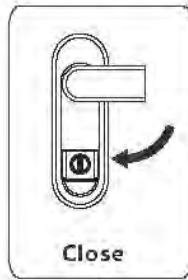


Fig 8B

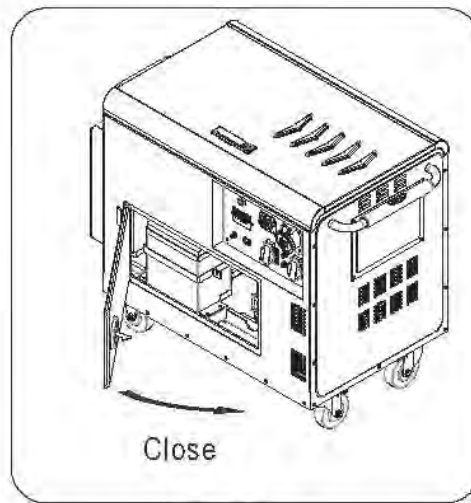


Fig 8C

How to Start Engine (See Fig 9)

- Place generator on a level surface. All electrical loads MUST be disconnected from generator.
- Turn the START/ON/OFF switch (Key) to the "START" position to attempt to start the Engine.
Engine cranks and fails to start within 15 seconds wait about 1 minute before attempting to start again.(see fig 9)
- connected load.

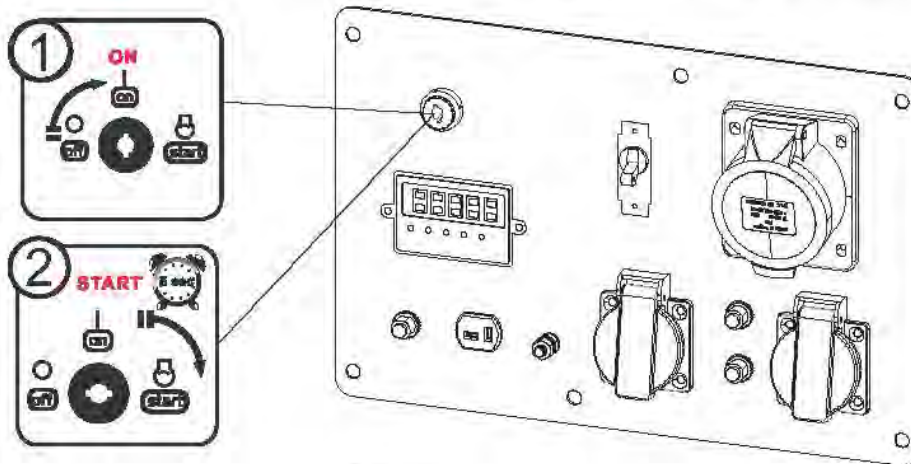


Fig 9

CAUTION In the cold weather, the engine is difficult to start, press the heater button 10-20 seconds after the release, and then repeat the action FIG 9, You can easily start the engine.

WARNING Never start or stop engine with electrical devices plugged in to the receptacles. Failure to do so could damage the generator and / or connected electrical devices.

- Always start the engine and let it stabilize before connecting any electronic devices.
- Disconnect all electronic devices before stopping the engine.

OPERATION

Battery Charger for Electric Starter

Keep the generator battery fully charged and ready to use, in order to avoid generating unit can't start.

How to Stop Engine (See fig 10 - 12)

- All loads **MUST** be disconnected from the generator. Never start or stop the engine with electrical devices plugged in to the receptacles.
- Turn the engine START/ON/OFF switch to the "OFF" position.
- Turn the Mechanical Switch(Engine) to the "OFF" position.

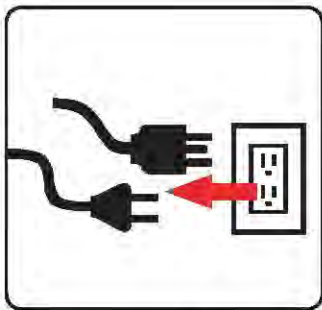


Fig 10

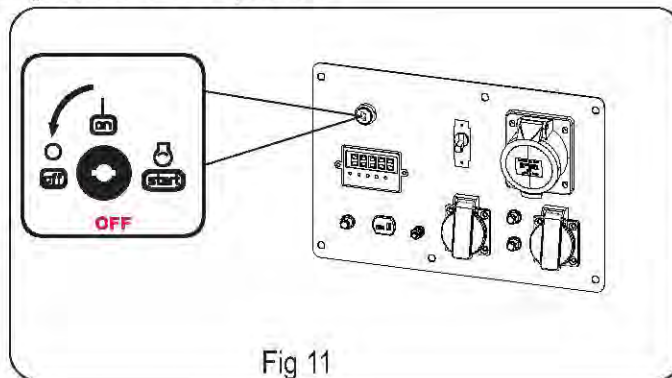


Fig 11

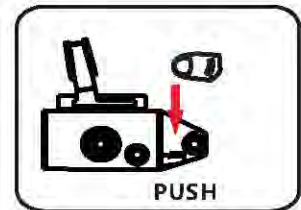


Fig 12

Receptacles and Extension Cords

Only use high quality, well-insulated, grounded extension cords in good condition with generator receptacles. Follow each load manufacturer's power rating recommendation when selecting receptacle and extension cord.

Extension Cord Selection

Refer to the below table to ensure the extension cord used has the capacity to carry the required load. If the size of the cable is inadequate it can cause a voltage drop, which can damage the electrical device and cord.

Current (Amps)	Load (Watts)	Maximum Cord Length				
		#8 Wire	#10 Wire	#12 Wire	#14 Wire	#16 Wire
2.5	600	X	1000 ft.	600 ft.	375 ft.	250 ft.
5	1200	X	500 ft.	300 ft.	200 ft.	125 ft.
7.5	1800	X	350 ft.	200 ft.	125 ft.	100 ft.
10	2400	X	250 ft.	150 ft.	100 ft.	50 ft.
15	3800	X	150 ft.	100 ft.	65 ft.	X
20	4800	175 ft.	125 ft.	75 ft.	X	X
25	6000	150 ft.	100 ft.	X	X	X
30	7200	125 ft.	65 ft.	X	X	X

OPERATION

Moving the Generator

- Disconnect any electronic devices from generator then turn generator off.
- Turn fuel valve to the “OFF” position.
- Tilt generator until it balances on wheels. Roll machine to desired location.
- If the generator must be carried, fold handle to the down position. Never lift or carry generator by its handle.



CAUTION

This product is heavy and requires several people to lift. Lift and lower with your legs by bending at the knees, not your back, to avoid injury.

Don't Overload Generator

Make sure you can supply enough rated watts and surge watts for all electronic devices connected to the generator. Rated watts refer to the power a generator must supply to keep a device running. Surge watts refer to the power a generator must supply to start an electronic device. This power surge for starting a device usually lasts between 2-3 seconds but this additional output must be taken into account when selecting the electronic devices you plan to attach to the generator. To prevent overloading the generator take the following steps:

1. Add up the total rated wattage of all electronic devices that will be connected to the generator simultaneously.
2. Estimate surge watts by adding the item(s) with the highest output (it is unnecessary to calculate the surge output for all devices as they should be connected one at a time).
3. Add the Surge Watts to the total Rated Watts in step 1. Keep total load within generator's power capacity.

Operating voltage and frequency requirement of all electronic equipment should be checked prior to plugging them into this generator. Damage may result if the equipment is not designed to operate within a +/- 10% voltage variation, and +/- 3 Hz frequency variation from the generator name plate ratings. To reduce the risk of damage, always have an additional load plugged into the generator if solid state equipment (such as television set) is used. A power line conditioner is recommended for some solid state applications.

OPERATION

Wattage Reference Guide

(Wattages listed are just approximations. Check electronic device for actual wattage)

Essentials	Rated Watts	Surge Watts
75W Light Bulbs	75 each	75 each
18 CU Ft Refrigerator / Freezer	800	2200
Furnace Fan (1/3HP)	800	2350
Sump Pump (1/3HP)	1000	2000
Water Pump (1/3HP)	1000	3000
Heating/Cooling		
Dehumidifier	650	800
Table Fan	800	2000
Window AC (10k BTU)	1200	3600
Central Air (10k BTU)	1500	6000
Electric Blanket	400	400
Space Heater	1800	1800
Kitchen		
Blender	300	900
Toaster (2 slice)	1000	1600
Coffee Maker	1500	1500
Electric Range (1 element)	1500	1500
Dishwasher	1500	3000
Electric Oven	3410	3410
Electric Water Heater	4000	4000
Laundry Room		
Iron	1200	1200
Washing Machine	1150	3400
Gas Clothes Dryer	700	2500
Electric Clothes Dryer	5400	

Bathroom	Rated Watts	Surge Watts
Hair Dryer	1250	0
Curling Iron	1500	0
Family Room		
X-Box or Play Station	40	0
AM/FM Radio	100	100
VCR	100	100
Color TV (27")	500	500
Home Office		
Fax Machine	65	0
Personal Computer (17" Monitor)	800	0
Laser Printer	950	0
Copy Machine	1600	0
Power Tools		
1000W Quartz Halogen Work Light	1000	0
Airless Sprayer (1/3HP)	600	1200
Reciprocating Saw	960	0
Circular Saw (7 1/4")	1400	2300
Miter Saw (10")	1800	1800
Table/Radial Arm Saw	2000	2000
Electric Drill (1/2HP, 5.4Amps)	600	900
Hammer Drill	1000	3000
Air Compressor	1600	4500
Other		
Home Security System	500	500
Garage Door Opener (1/3HP)	750	750



WARNING

Never exceed generator's wattage / amperage capacity. This could damage the generator and / or connected electrical devices.

- Check operating voltage and frequency requirements of all electrical devices prior to plugging them into the generator.

Power Management

- Start engine without anything connected to generator.
- When engine has stabilized, plug in and turn on first load. It is strongly recommended to plug in devices with the largest output first and the smallest output last to help prevent overloading the generator.
- Allow generator output to stabilize (engine and attached devices run evenly) before plugging in the next load.

OPERATION



No preheating device of the machine below 0 °C will not be able to start.

Cold Weather Operation

Under humid conditions where temperatures drop to 40°F (4°C), Diesel and crankcase ventilation pipe lines may appear to freeze. In order to prevent Diesel and crankcase ventilation pipe lines may appear to freeze, To prevent icing take the following steps:

1. Use clean - 35 # diesel fuel.
2. Use the SAE 5W - 30 CD diesel engine oil.
3. Preheat open generating set switch.
4. Turn fuel valve to the open position.
5. Ensure generator is serviced according to the maintenance schedule under "Maintenance" section of manual.
6. Shelter unit from elements.

To Balance the Load

To obtain the best output and performance of your Ford Generator it is best to make every effort to balance the load on the outlets. Attempt to spread the load as evenly as possible by utilizing all outlets and try to run higher wattage device on separate outlets when possible. For example; if you have a device that draws 2,500W and a device that draws 2,000W, put one plug in the left duplex receptacle and then plug the other device in the right duplex receptacle which would be a more balance than placing both plugs in a single duplex receptacle putting 4,500W on one receptacle.

Creating a Temporary Cold Weather Shelter

In an emergency, the original shipping carton can be used as a temporary shelter. The shelter should hold enough heat created by the generator to prevent icing.

1. Cut off all flaps.
2. Cut off one of the long sides of the carton to expose the units muffler and exhaust. Do not enclose the muffler / exhaust side of the generator.
3. Slide carton over generator. If necessary, remove the wheel assembly for fit.
4. Maintain 5 feet of clearance between the open side of box and other objects. The exposed side of the box should face away from the wind and elements.
5. Remove shelter when temperatures reach -4°F (-20°C).

Regular maintenance will extend the life of this generator and improve its performance. The warranty does not cover items that result from operator negligence, misuse, or abuse. To receive full value from the warranty, operator must maintain the generator as instructed in this manual, including proper storage.

MAINTENANCE

Pre-Operation Steps

Before starting the engine, perform the following pre-operation steps:

- Check the level of the engine oil and the fuel tank level.
- Make sure the air filter is clean.
- Remove any debris that has collected on the generator and around the muffler and controls. Use a vacuum cleaner to pick up loose debris. If dirt is caked on, use a soft bristle brush.
- Inspect the work area for hazards.

After Each Use

Follow the following procedure after each use:

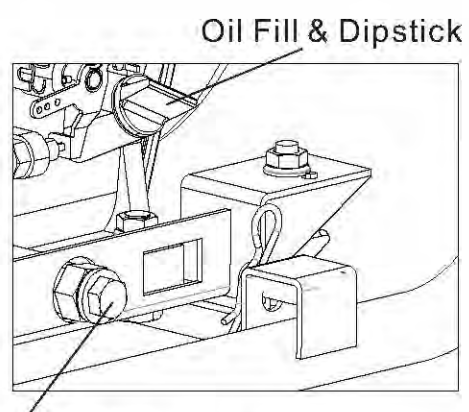
- Shut off engine.
- Charge electric starter. (see Battery Charger for Electric Starter pg 14)
- Store unit in a clean and dry area.

Maintenance Schedule

		Each Use	Every Month or Each 20 Hrs	Every 3 Month or Each 50 Hrs	Every 6 Month or Each 100 Hrs	Every 12 Month or Each 300 Hrs
Engine Oil	Check Level	○				
	Replace		○(First Use)		○	
Air Filter	Check	○				
	Clean			○		
Fuel Filter	Replace					○
Oil Filter	Replace					○
Fuel Tank	Verify Gas Level	○				
	Clean					○

Changing Oil (See Fig 13)

- Run the Generator until the Engine is warm.
- Place generator on a level surface.
- Remove the crankcase dipstick.
- Place an oil pan underneath the oil drainage bolt to collect used oil.
- Remove the oil drainage plug and allow oil to drain completely.
- Reinstall oil drainage plug, tighten securely.
- Carefully add SAE 10W-40 CD to empty reservoir until the oil reaches the outer edge of the oil fill hole (Crankcase Dipstick hole).
- Replace crankcase dipstick.



Oil drainage plug Fig 13

MAINTENANCE

Oil Recommendations

- Do not use special additives.
- Outdoor temperatures determine the proper oil viscosity for the engine. Use the chart to select the best viscosity for the outdoor temperature range expected.(see Fig 14)

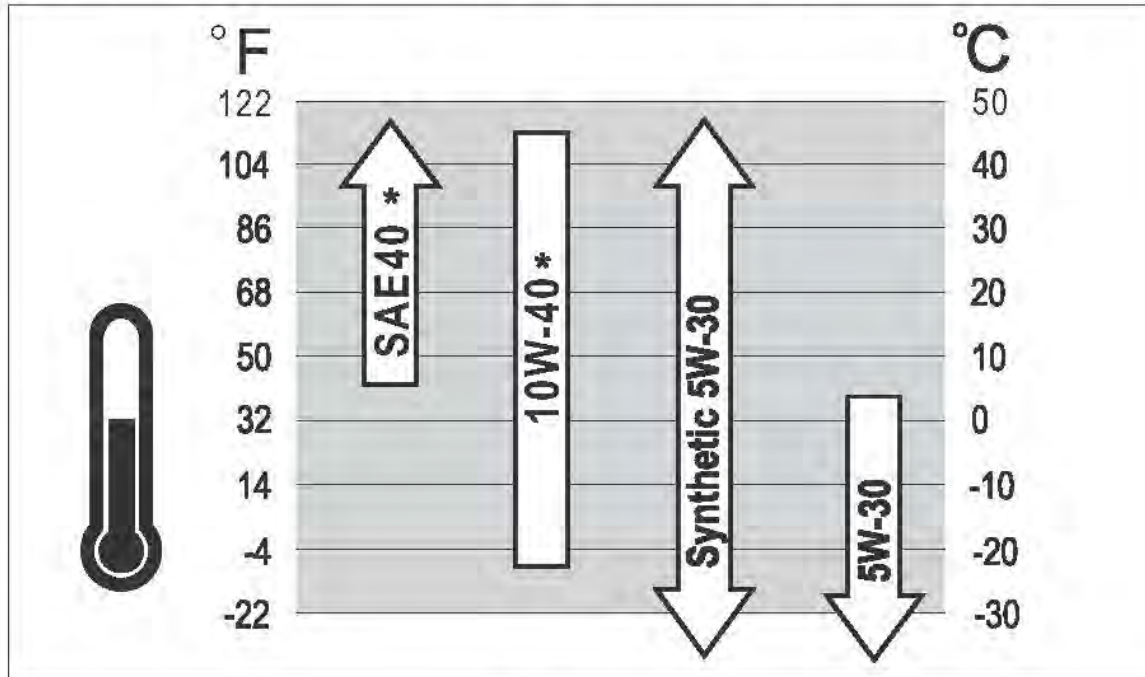


Fig 14

Note: * Below 40°F (4°C) the use of SAE 30 will result in hard starting.

** Above 80 °F (27°C) the use of 10W-30 may cause increased oil consumption.
Check oil level more frequently.



Used oil should be disposed of at an approved disposal site. See your local oil retailer for more information.

Fuel Recommendations

- Temperature in 40 °F (4 °C) above 0 # diesel oil.
- Temperature in 23 °F (-5 °C) above choose - 10 # diesel oil.
- The temperature in 7 °F (-14 °C) above choose - 20 # diesel fuel.
- The temperature in 20 °F (-29 °C) above choose - 35 # diesel.



Choose diesel brands if do not apply to the temperature, the engine of the fuel system may wax, oil plug, Affect the normal work of the engine.

MAINTENANCE

Air Filter (See Fig 15)

A dirty air filter will reduce the life span of the engine, make it difficult to start the engine, and reduce the unit's performance.

- To clean, remove the air filter cover.
- Carefully pull the air filter out by lifting up along the edges.
- Remove dirt from filter by tapping on it or having it blown out. Replace with new filter annually.
- Reinstall air filter so that it seals and replace air filter cover.

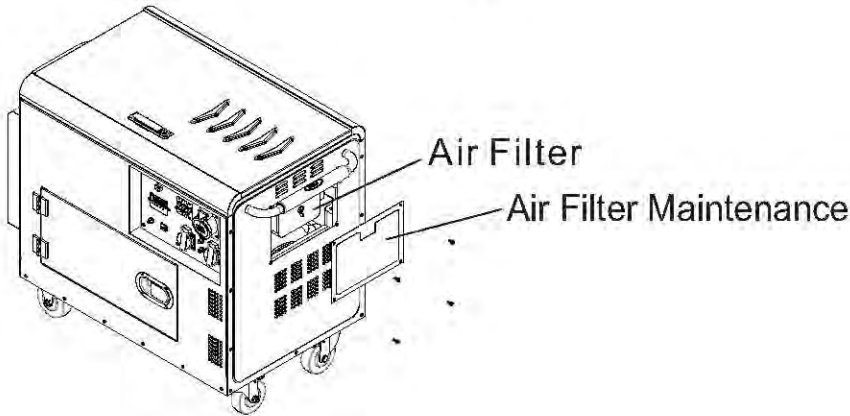


Fig 15

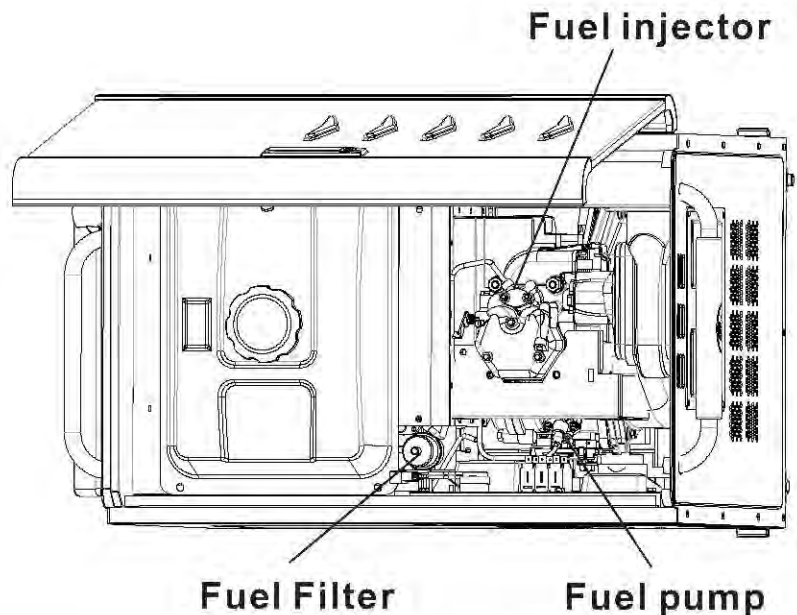


Fig 16

Cooling System

Cooling system should only be serviced by an authorized dealer.

Fuel pump and fuel injector(See Fig 16)

Fuel pump and fuel injector system should only be serviced by an authorized dealer.

Replacing Fuel Filter (See Fig 16)

Occasionally the fuel filter may become clogged and need replacing. To purchase a replacement fuel filter contact customer service or your local small Engine repair shop.

MAINTENANCE

Fuel filter must often clean, ensure a maximum output power for diesel engine.

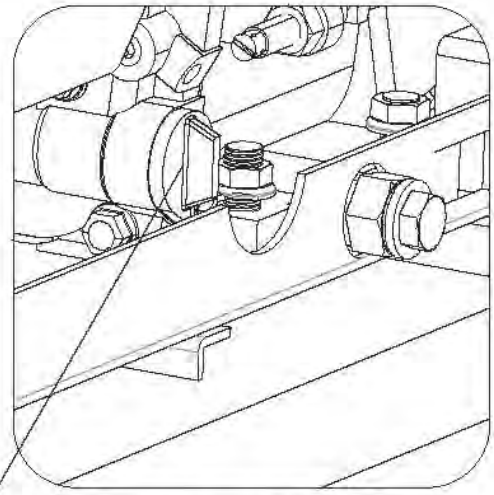
- Put the fuel tank of fuel.
- Loosen the tubing clamp, screw, nut, diesel thoroughly clean the filter.
- Serious condition, replace the fuel filter.
- Bolted fixed fuel filter.



Fuel tank must be empty before replacing fuel filter. Run unit until tank is empty, if needed, or inspect filter prior to fill-up.

Oil Filter (See Fig 17)

- Loosen the lock nut, remove the oil filter with a clean petrol or kerosene wash.
- Pay attention to the oil filter gasket don't break.
- Install oil filter back in box.



Oil Filter

Fig 17

Draining Fuel Tank

To help prevent gum deposits in the fuel system, drain the fuel from the tank and carburetor before storing the unit for long periods of time. This will help prevent starting problems in the future. If the unit is stored with fuel and the fuel becomes stale or turns gummy or to varnish the warranty does not cover this repair or service.

Draining the fuel tank

- Turn the engine OFF.
- Turn the fuel valve to the OFF position.
- Remove the fuel line that leads to the carburetor from the petcock by squeezing the ends of the hose clamps and sliding the fuel line off.
- If needed, install a fuel hose that will extend to a suitable fuel container large enough to catch the fuel being drained from the tank.
- Turn the fuel valve to the ON position.
- When the fuel has drained from the tank, close the fuel valve and reinstall fuel line securely on petcock.

MAINTENANCE

Storage and Transportation of the Generator(See Fig 18)

- Remove any debris that has collected on the generator and around the muffler and control panel. Use a brush or vacuum to remove loose dirt.
- Inspect air cooling slots. Remove any debris if obstructed.
- For short-term storage, Less than 1 month, No storage procedure required.
- storage 1 to 3 month, Fill with fresh diesel fuel.
- storage more than 3 month, Draining the fuel tank.

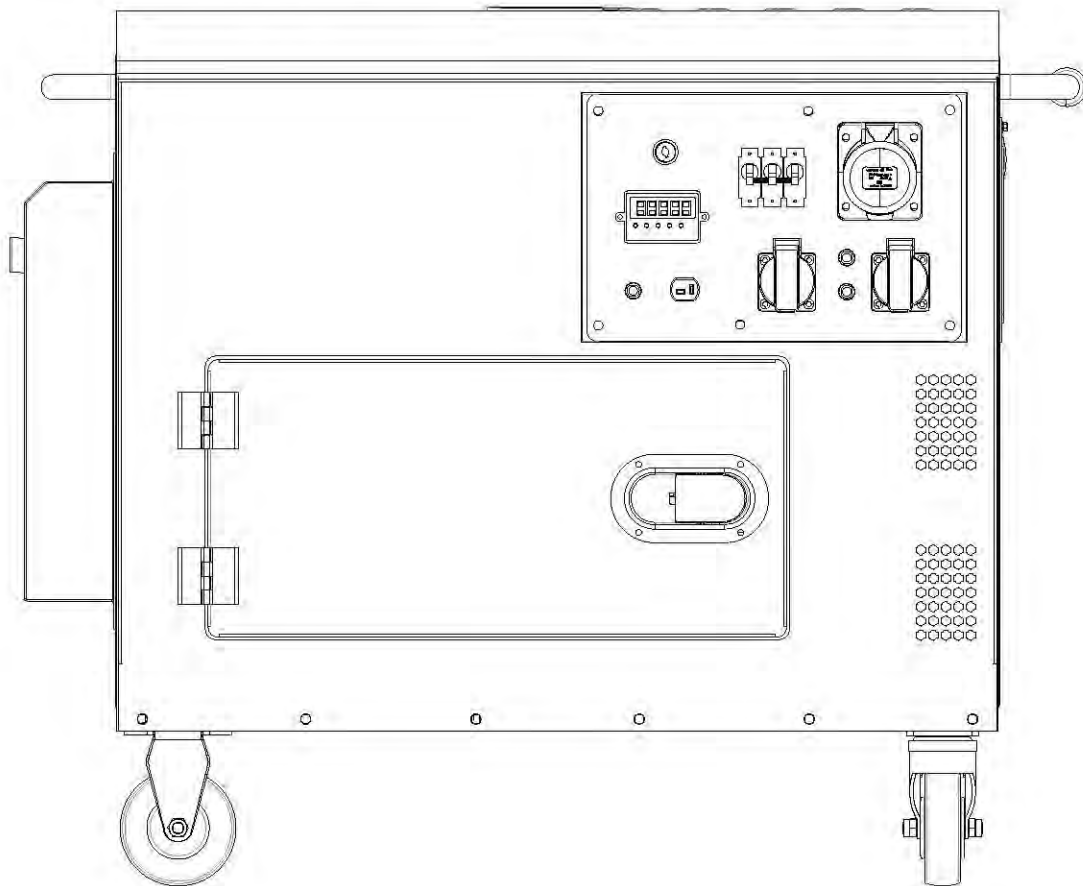
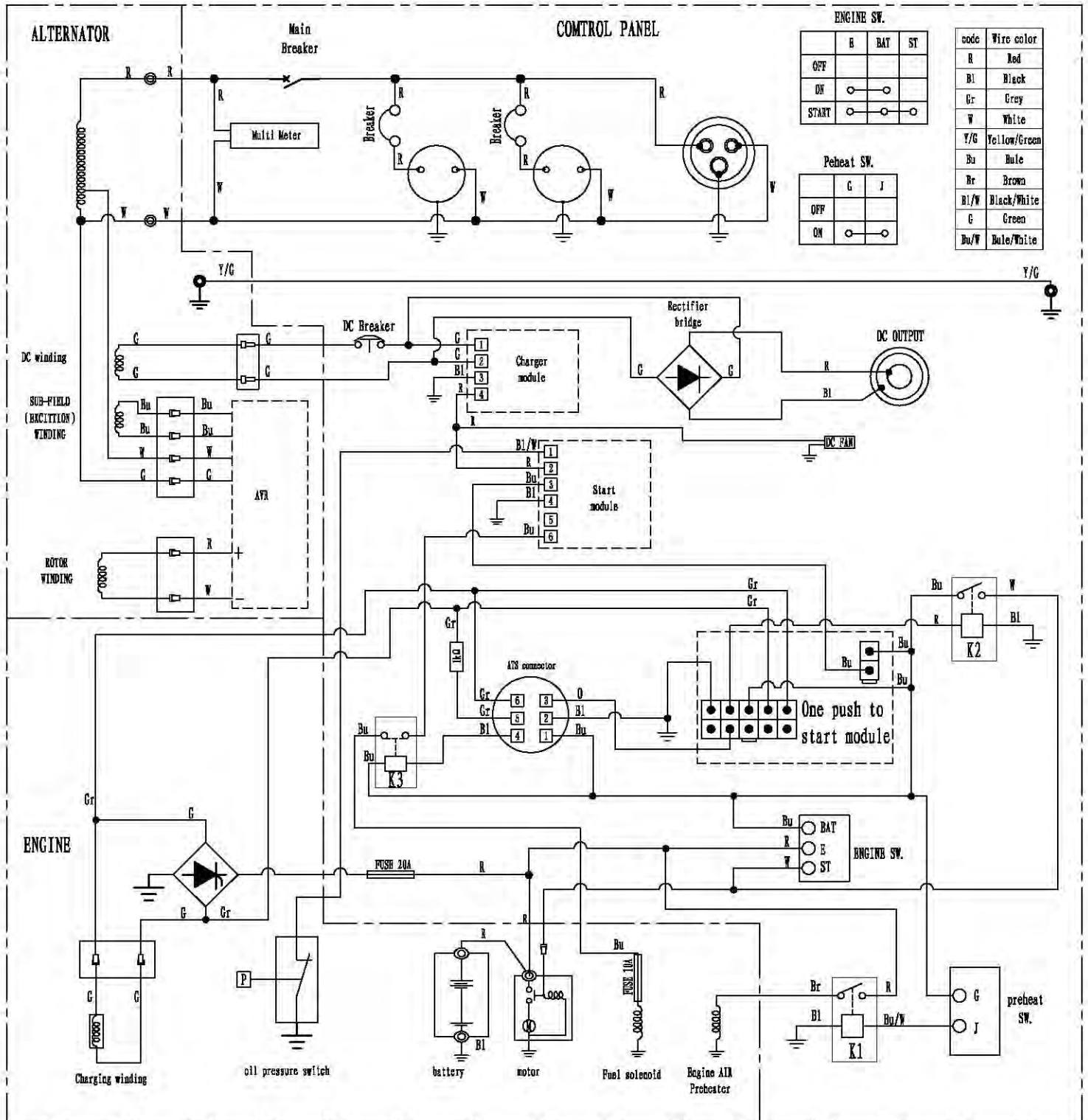


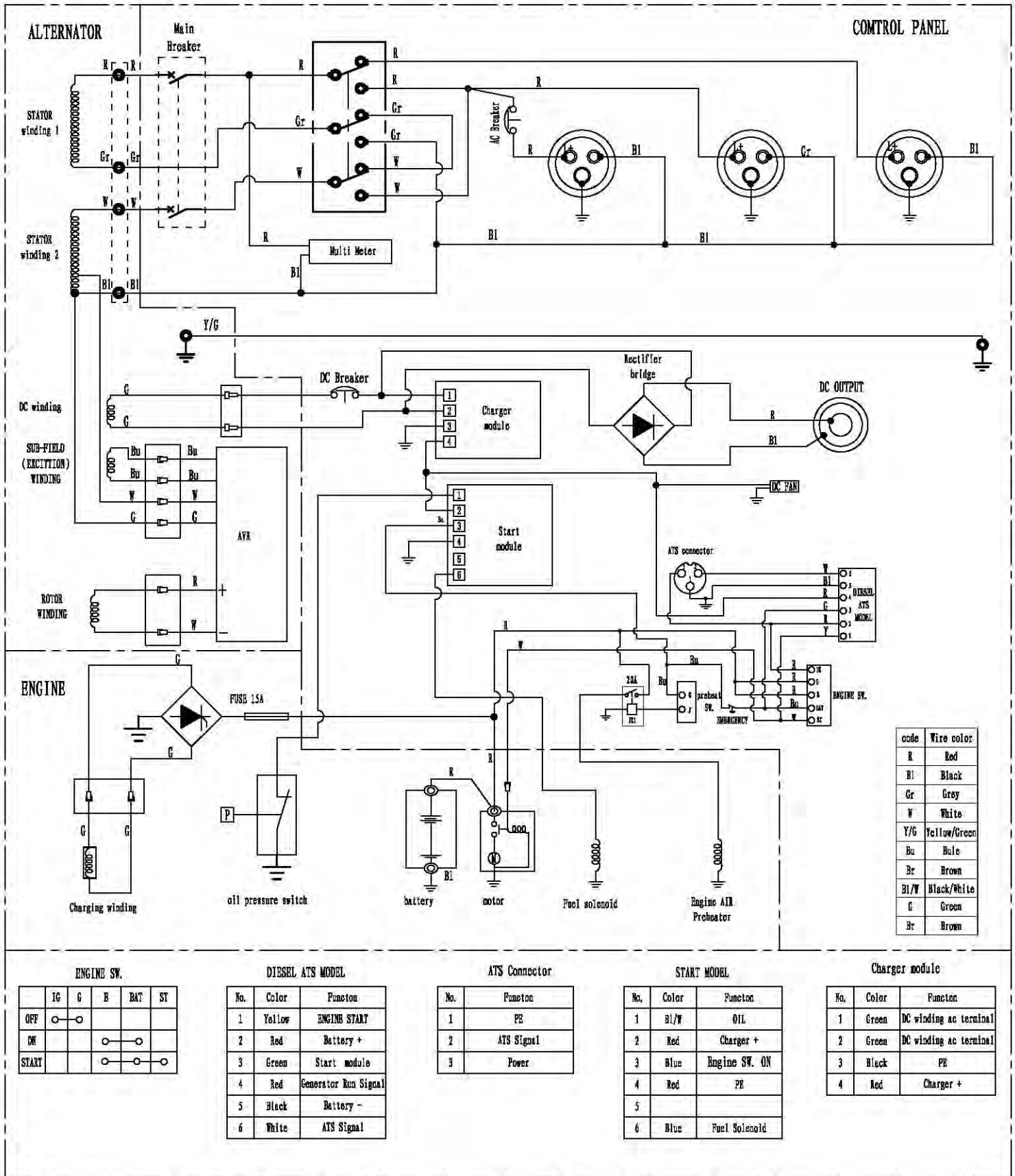
Fig 18

TROUBLESHOOTING

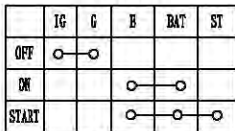
Problem	Cause	Solution
Engine is running, but AC output is not available	<ol style="list-style-type: none"> 1. Open circuit breaker 2. Poor connection 3. Defective cord set 4. Connected device is faulty 5. Fault in generator 	<ol style="list-style-type: none"> 1. Reset circuit breaker 2. Check and repair 3. Check and repair 4. Connect a device that is working properly 5. Contact service department
Engine runs well without load but bogs down when loads are connected	<ol style="list-style-type: none"> 1. Short circuit in connected device 2. Generator is overloaded 3. Clogged fuel filter 4. Engine speed is too slow 5. Short circuit in generator 	<ol style="list-style-type: none"> 1. Disconnect device 2. See pg 18 "Don't overload generator?" 3. Clean or replace fuel filter 4. Contact service department 5. Contact service department
Engine will not start, shuts down during operation, or starts and runs rough.	<ol style="list-style-type: none"> 1. ON/OFF switch set to "OFF" 2. Dirty Air filter 3. Clogged fuel filter 4. Stale fuel 5. Water in fuel 6. Fuel valve is in "OFF" position 8. Low oil level 9. Rich fuel mixture 10. Loss of engine compression 11. Dead battery 12. Mechanical Switch "OFF" 	<ol style="list-style-type: none"> 1. Turn switch to "ON" 2. Replace Air filter 3. Clean or replace fuel filter 4. Replace fuel 5. Drain fuel tank and replace fuel 6. Turn fuel valve to "ON" position 8. Fill crankcase to proper oil level & place generator on a level surface 9. Contact service department 10. Contact service department 11. Recharge or replace battery 12. Turn Mechanical Switch "ON", See Fig 7
Engine lacks power	<ol style="list-style-type: none"> 1. Generator is overloaded 2. Clogged fuel filter 3. Dirty Air filter 4. Engine needs servicing 5. Clogged fuel filter 	<ol style="list-style-type: none"> 1. See pg 18 "Don't overload generator" 2. Clean or replace fuel filter 3. Replace Air filter 4. Contact service department 5. Clean or replace fuel filter

DIAGRAMS





ENGINE SW.



DIESEL ATS MODEL

No.	Color	Function
1	Yellow	ENGINE START
2	Red	Battery +
3	Green	Start module
4	Red	Generator Run Signal
5	Black	Battery -
6	White	ATS Signal

ATS Connector

No.	Function
1	PE
2	ATS Signal
3	Power

START MODEL

No.	Color	Function
1	Bl/W	OIL
2	Red	Charger +
3	Blue	Engine SW. ON
4	Red	PE
5		
6	Blue	Fuel Solenoid

Charger module

No.	Color	Function
1	Green	DC winding ac terminal
2	Green	DC winding ac terminal
3	Black	PE
4	Red	Charger +

NOISE

The figures quoted are emission levels and are not necessarily safe working levels. Whilst there is a correlation between the emission and exposure levels this cannot be used reliably to determine whether or not further precautions are required. Factors that influence the actual level of exposure of work-force include the characteristics of the work room, the other sources of noise, the number of machines and other adjacent processes, and the time for which an operation is exposed to the noise. Also the permissible exposure level can vary from country. This information, however, will enable the user of the machine to make a better evaluation of the hazard and risk. Measured according with ISO8528-10, ISO 3744 and Noise Directive 2000/14/EC.

MODEL	FD6700S	FD7200S
Emission sound pressure level at the operator's operation (according with ISO8528-10)	75 dB(A)	75 dB(A)
Uncertainty K	2 dB(A)	2 dB(A)
Guaranteed sound power ^{level} L _{WA} (according with Machinery Directive 2000/14/EC and ISO3744)	97 dB(A)	97 dB(A)

SERVICE

WARRANTY:

Please see the separate sheet in accessories.

CE DECLARATION:

Please see the separate sheet in accessories.

HOW TO CONTACT US:

To order parts, receive warranty assistance, or other services inquiries, please see the warranty sheet.

Record the following information bellow for service or warranty assistance.

Date of Purchase:	
Model Number:	
Series Number:	
UPC Number:	